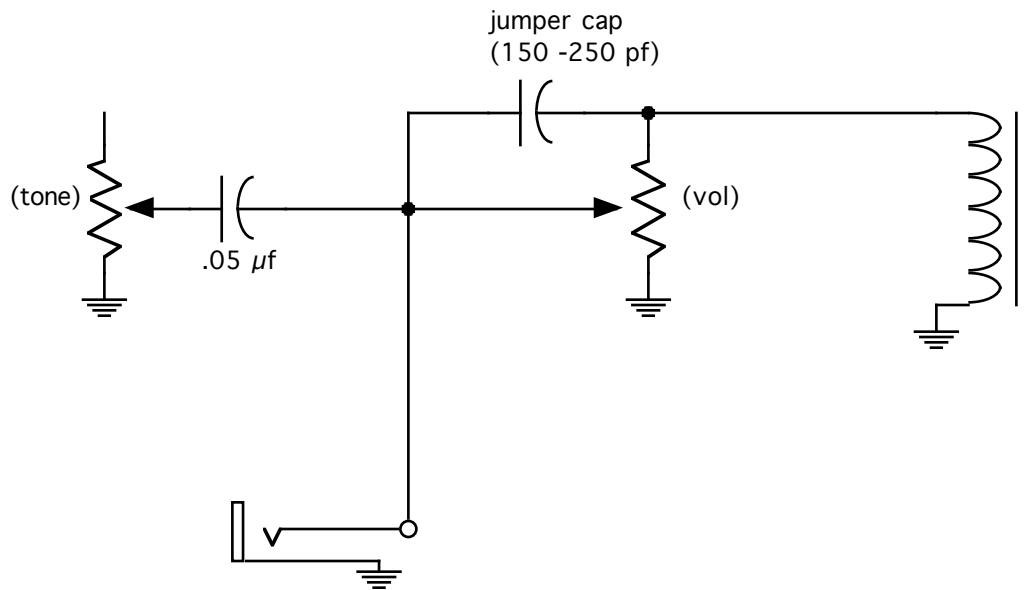


# Master Tone/Volume Hookup with Jumper Capacitor \*



\* to offset tone changes at different volume levels  
(use ceramic non-polarized disc)